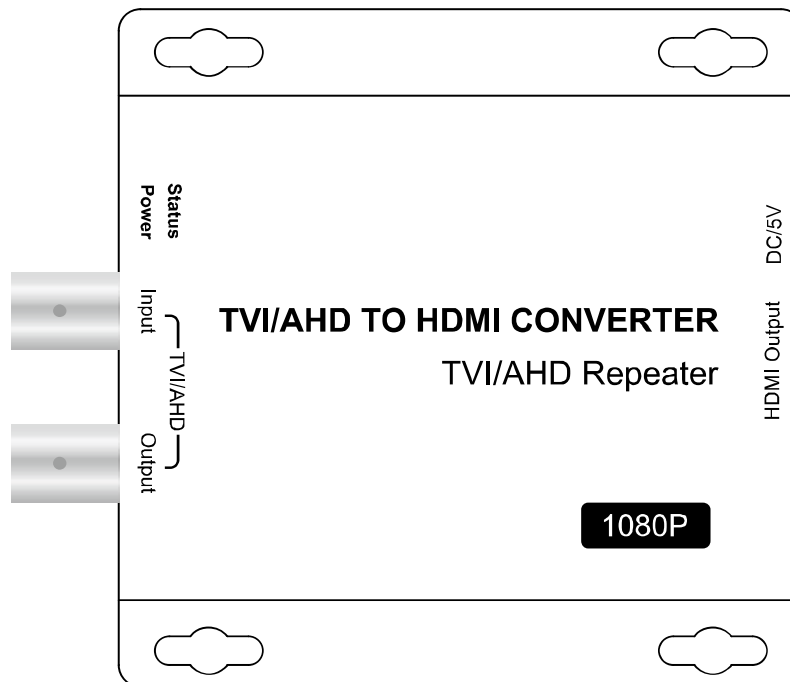


# TVI/AHD to HDMI Converter, With 1xlooping TVI/AHD output

## Operating Instructions



### Dear Customer

Thank you for purchasing this product. For optimum performance and safety, please read these instructions carefully before connecting, operating or adjusting this product. Please keep this manual for future reference.

### FEATURES

- Convert TVI/AHD to HDMI, with 1xlooping TVI/AHD output
- Support TVI/AHD 720P, 1080P input
- Max output support HDMI 1080p@60Hz
- Support transmission distance up to 300m over coaxial cable
- With mounting ears

### NOTICE

Our company reserves the right to make changes in the hardware, packaging and any accompanying documentation without prior written notice.

## TABLE OF CONTENTS

**Specifications**

**Package Contents**

**Panel Descriptions**

**Connecting and Operating**

**Typical Application**

**Maintenance**

**Product service**

**Warranty**

## SPECIFICATIONS

Input	1x TVI/AHD
Output	1x TVI/AHD, 1x HDMI
Interface	HDMI A - Male BNC
TVI/AHD Input Resolution	720P (25Hz/30Hz/50Hz/60Hz), 1080P (25Hz/30Hz)
HDMI Output Resolution	1080p@60Hz
Dimensions	95(L) x 94 (W) x 28(H) mm

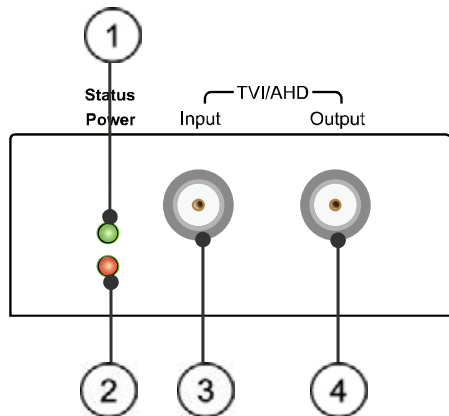
**Note: Specifications are subject to change without notice. Mass and dimensions are approximate.**

## PACKING CONTENTS

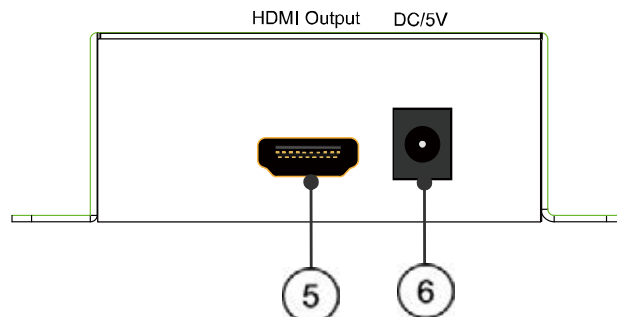
- 1) Main Unit. TVI/AHD-HDMI converter
- 2) DC5V 1A Power Supply.
- 3) Operating Instructions

## PANEL DESCRIPTIONS

### Input Panel



### Output Panel



- 1) Indicator of TVI input
- 2) Indicator of power Input
- 3) TVI/AHD input port
- 4) TVI/AHD output port
- 5) HDMI output port
- 6) Power input

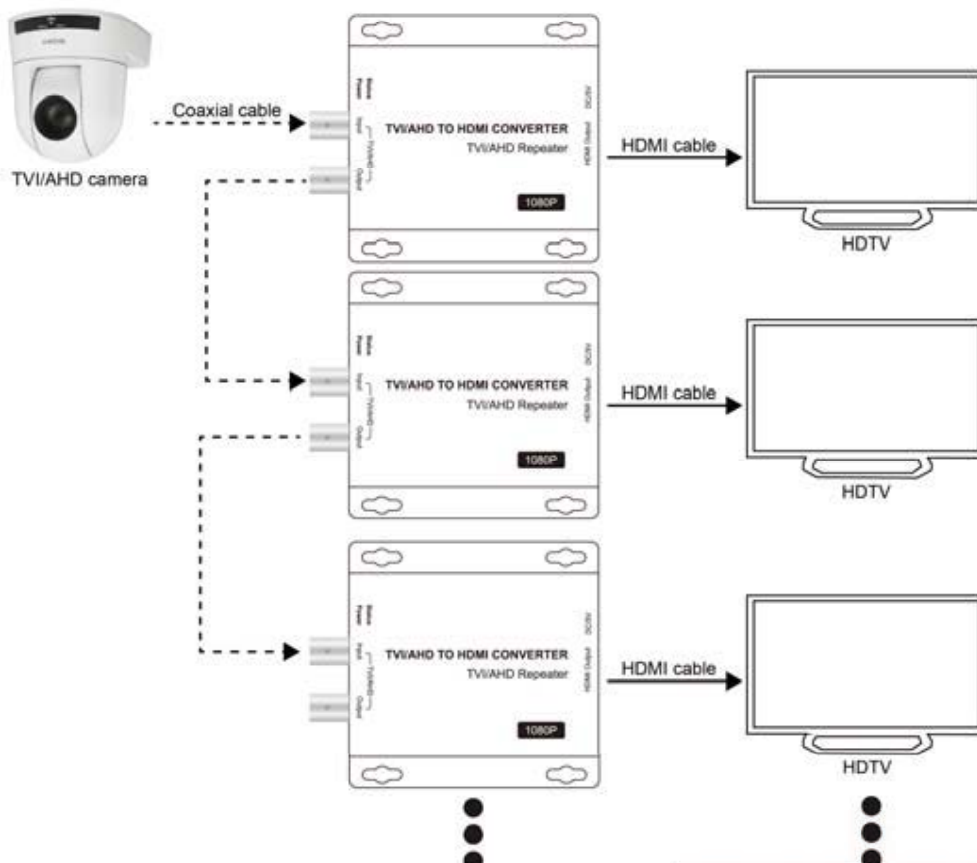
### Connecting and Operating

1. Ensure the Converter is disconnected from power.
2. Connect TVI/AHD source to the TVI input and sink to HDMI output.
3. Connect 5V 1A DC power to the converter.

Attention: Insert/Extract cable gently

### Typical Application

Coaxial cable - - - - -  
HDMI cable —————



## MAINTENANCE

Clean this unit with a soft, dry cloth. Never use alcohol, paint thinner or benzene to clean this unit.

## PRODUCT SERVICE

1) **Damage requiring service:** The unit should be serviced by qualified service personnel if:

- (a) The DC power supply cord or AC adaptor has been damaged;
- (b) Objects or liquids have gotten into the unit;
- (c) The unit has been exposed to rain;
- (d) The unit does not operate normally or exhibits a marked change in performance;
- (e) The unit has been dropped or the cabinet damaged.

2) **Servicing Personnel:** Do not attempt to service the unit beyond that described in these operating instructions. Refer all other servicing to authorized servicing personnel.

3) **Replacement parts:** When parts need replacing ensure the servicer uses parts specified by the manufacturer or parts that have the same characteristics as the original parts. Unauthorized substitutes may result in fire, electric shock, or other hazards.

4) **Safety check:** After repairs or service, ask the servicer to perform safety checks to confirm that the unit is in proper working condition.

## WARRANTY

If your product does not work properly because of a defect in materials or workmanship, our Company (referred to as "the warrantor" ) will, for the length of the period indicated as below, (**Parts(2)Year, Labor(90) Days**) which starts with the date of original purchase ("Limited Warranty period"), at its option either (a) repair your product with new or refurbished parts, or (b) replace it with a new or a refurbished product. The decision to repair or replace will be made by the warrantor.

During the "Labor" Limited Warranty period there will be no charge for labor. During the "Parts" warranty period, there will be no charge for parts. You must mail-in your product during the warranty period. This Limited Warranty is extended only to the original purchaser and only covers product purchased as new. A purchase receipt or other proof of original purchase date is required for Limited Warranty service.

## MAIL-IN SERVICE

When shipping the unit carefully pack and send it prepaid, adequately insured and preferably in the original carton. Include a letter detailing the complaint and provide a day time phone and/or email address where you can be reached.